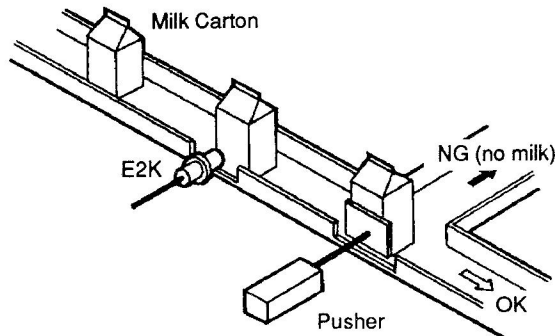


Packaging/food/medicine

49 Milk Detection (in carton)

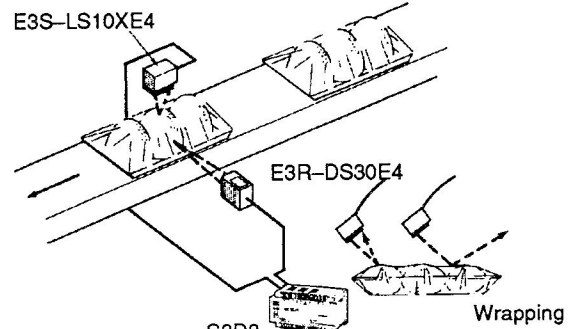
The use of a static volume proximity switch ensures that the contents of opaque containers are present.



Static Volume Proximity Switch E2K-C

50 Number of Dumplings Detection (in package)

The number of dumplings in the package are counted and NG ones are rejected. The dumplings must be wrapped at an angle to ensure accuracy.



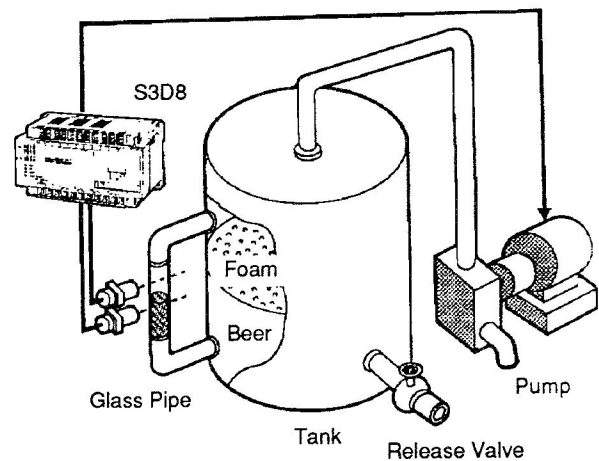
Limited Reflection Photoelectric Switch E3S-LS10XE4
Sensor Controller S3D8

51 Tank Liquid Level Detection

A Glass bypass pipe is installed in the tank and the liquid level can be detected.

Upper Level Detection
Static Volume Proximity
Switch E2K-C25ME1

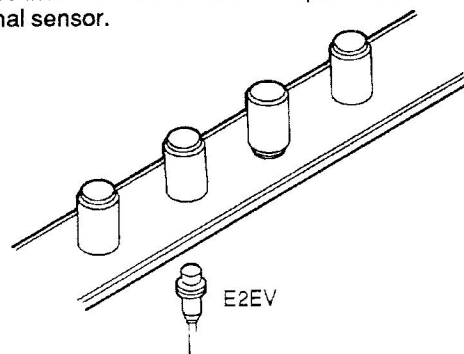
Lower Level Detection
E2K-C25ME2



Static Volume Proximity Switch E2K-C

52 Aluminum Can Top/Bottom Judgement

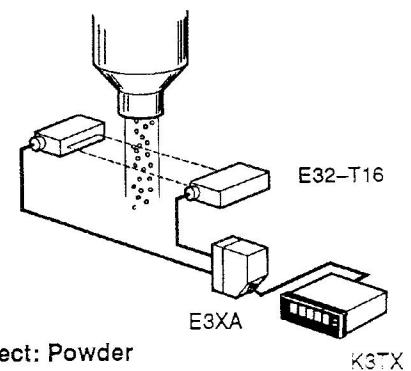
The bottom of the can is detected to determine if the can is upside down. By using the E2EV, the detection distance increases three times compared with a conventional sensor.



Detection Subject: Aluminum Can
A Meta Proximity Switch E2E.

53 Powder Application Confirmation

The analog output of powder can be detected without being influenced by the amount of output.



Detection Subject: Powder
Fiber Unit E32-T16
Amp Unit E3XA-CC4A
Digital Panel Meter K3TX