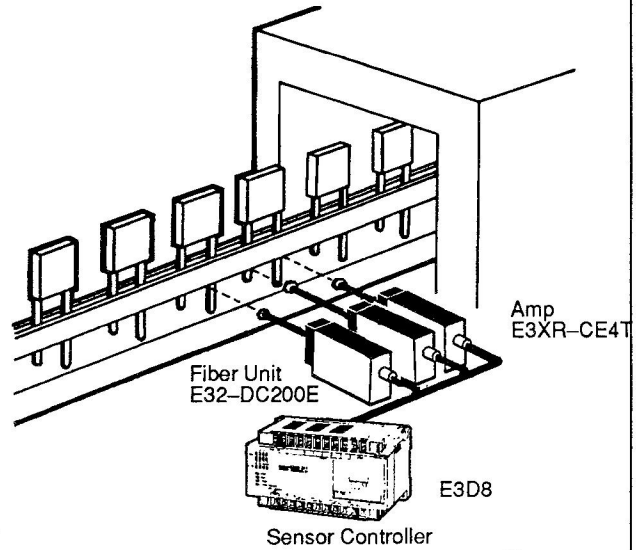
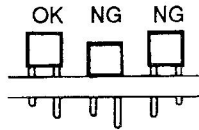


11 Electronic Part Lead Wire Fault Detection

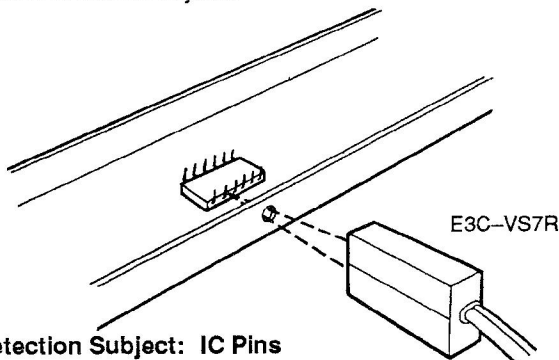
Detects the leads of electronic parts using a E32-DC200E fiber. Determines if length is normal or faulty.



Fiber Optic Photoelectric Switch E32-DC200E/E3XR-CE4T

12 IC Pin Detection Through a Small Hole

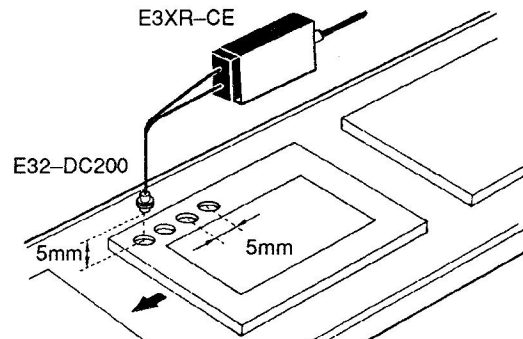
The LED is bright enough to be read from a distance of 70 mm. Uses a 2-mm spot light (round red) for detection of minute objects.



Detection Subject: IC Pins
Photoelectric Switch E3C-VS7R
Amp Unit E3C-JC4

13 Circuit Board Hole Confirmation

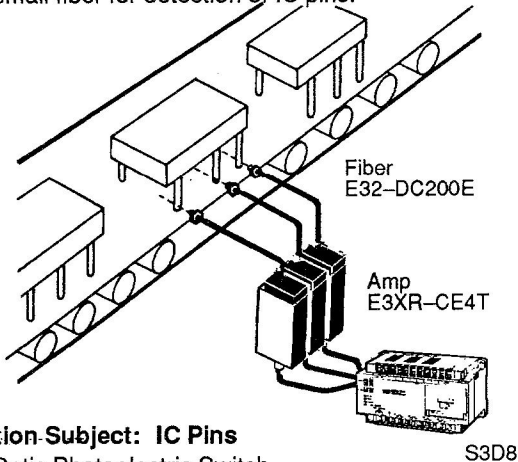
Detects four circuit board holes accurately.



Detection Subject: PC Board Holes
Fiber Optic Photoelectric Switch
E32-DC200/E3XR-CE4

14 IC Pin Detection

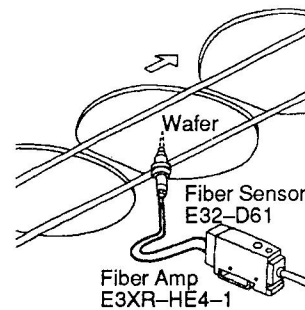
Uses small fiber for detection of IC pins.



Detection Subject: IC Pins
Fiber Optic Photoelectric Switch
E32-DC200E/E3XR-CE4T

15 Gallium Arsenic Wafer Detection

Gallium-arsenic wafers cannot be detected with photoelectric fiber sensors (red light source) or with static volume proximity sensors. Projected light source is infra-red LED. Uses glass fiber. Red LED is absorbed and is not reflected.



Fiber Optic Photoelectric Switch
E3XR-HE4-1 Infra-red Light Source for Amp
E32-D61/D73 Glass Fiber