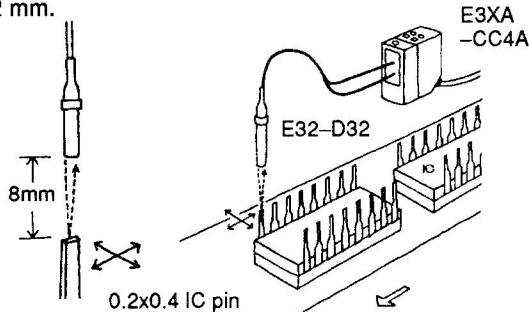


Semiconductors

27 IC Bent Pin Inspection

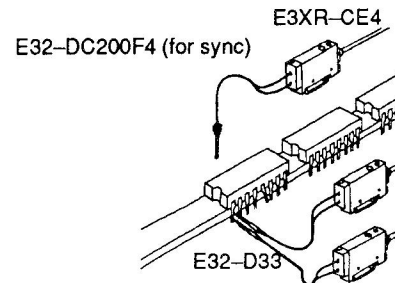
Outputs a current value from 4 to 20 mA depending on the amount of reflected light. (The amount of light from a bent pin is decreased.) The current value is controlled by microprocessor and can detect within ± 0.2 mm.



Fiber Optic Analog Sensor E32-D32 (Fiber Unit)
 E3XA-CC4A (Amp)
 E39-F3A (Lens)

28 IC Bent and Slipped Pin Detection

Uses two blocking sensors for slipped pin inspection. Uses one receiving sensor and one blocking sensor for bent pin inspection. Uses three sensors to detect pin bending and slippage of ICs simultaneously. May be controlled by simple programs from the S3D8.

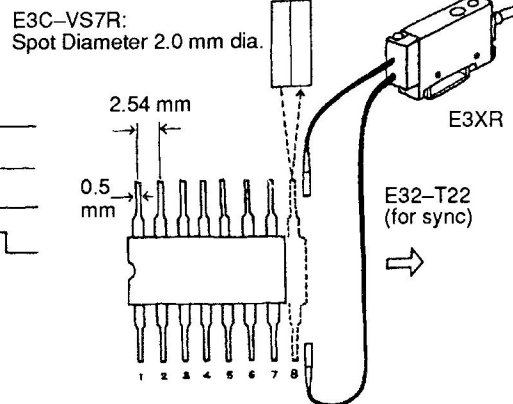
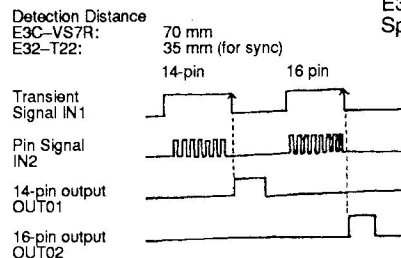


Fiber Optic Photoelectric Switch E32-D33 (2 pcs)
 Fiber Unit E32-DC200F4 (for sync)
 Fiber Unit E3XR-CE4 (3 pcs.) Amp Unit

29 IC Pin Counting

Accurate detection (at a spotlight diameter of 2.0 mm) at a distance of 70 mm is accomplished.

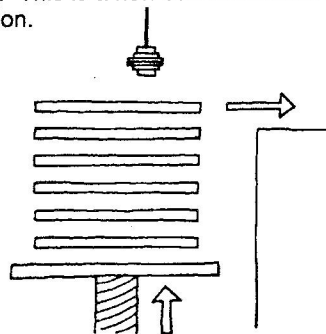
When the synchronous sensor is ON, the pin sensor determines the number of pins by the number of ON/OFF cycles. There are 7 cycles for a 14 pin IC and 8 cycles for a 16 pin IC. The spotlight has a diameter of 2.0 mm at a distance of 70 mm for accurate detection.



Small Head Photoelectric Switch Separate Amp Photoelectric Switch E3C-VS7R (Sensor)
 E3C-JC4P (Amp)
 Fiber Optic Photoelectric Switch E32-T22
 Fiber Unit (for sync) E3XR-CE4 Amp Unit
 Sensor Controller S3D8-CCF

30 Lead Frame Top Position Detection

Detects the lead frame in the top position. After it has been transported, the frame rises again and the detection stops. This is a non-contact sensor for long-life operation.



Separate Amp Proximity Switch E2C-JC4AP (Amp)
 E2C-X2A (Sensor)

