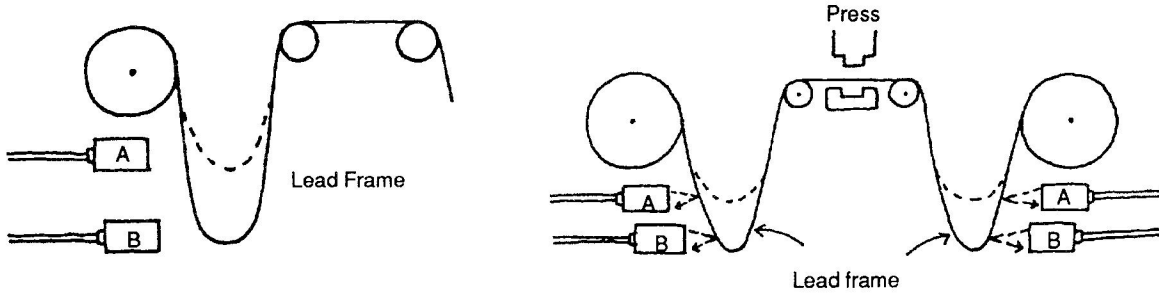


31 Lead Frame Slack Detection

Moves only when A and B are OFF.

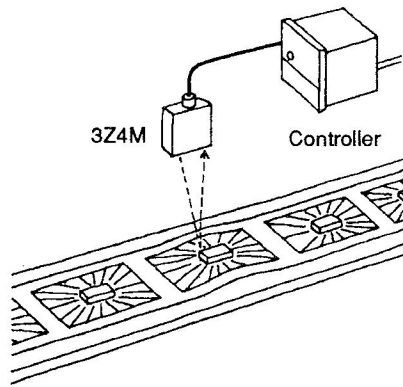
Reflective type for trouble-free operation.



Internal Amp Photoelectric Switch E3V-DS8C43S

32 Lead Frame Warpage Detection

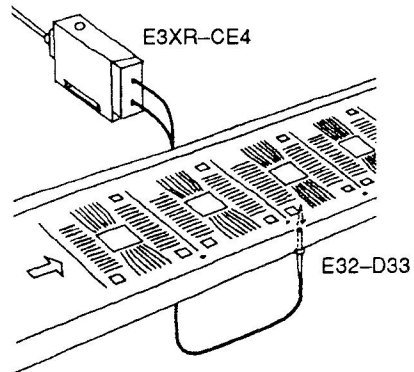
High accuracy detection of warpage in lead frames.



Laser Variation Meter 3Z4M

33 Lead Frame Type Determination

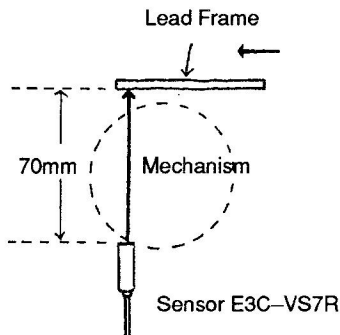
Can detect copper wires up to 0.015-mm thick. Can accurately detect lead frame pins. Determines the type of lead frame by counting the number of legs.



Fiber Optic Photoelectric Switch E3XR-CE4 (Amp)
E32-D33 (Miniature Fiber Unit)

34 Lead Frame Hole Detection

Uses a spotlight diameter of 2 mm. From a distance of 70 mm it accurately detects minute holes.



Small Head Photoelectric Switch E3C-JC4P (Amp)
E3C-VS7R (Sensor)

