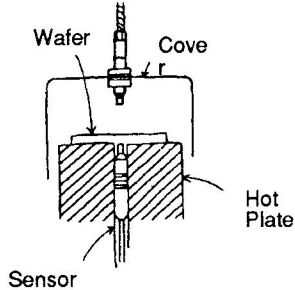


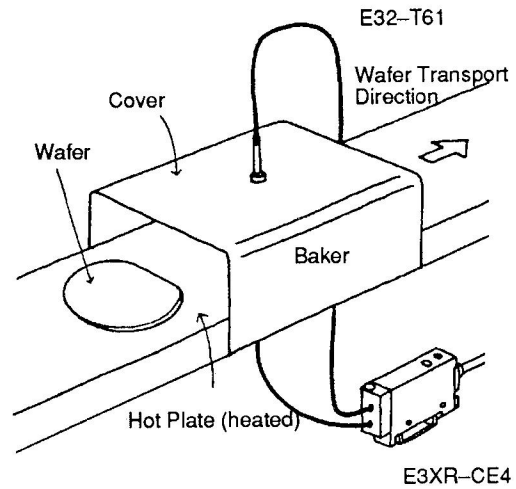
Semiconductors

35 Wafer Detection (High Temperature)

Can be used in an environment with a 300°C ambient temperature, and can detect wafers with stability for continuous time periods.

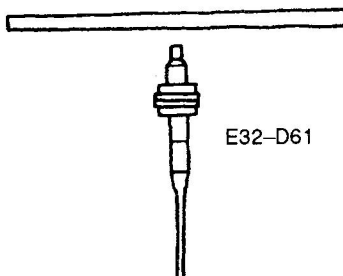


Fiber Optic Photoelectric Switch
E3XR-CE4 (Amp)
E32-T61 (Heat Resistant Fiber Unit
— 300°C, Transmission Type)

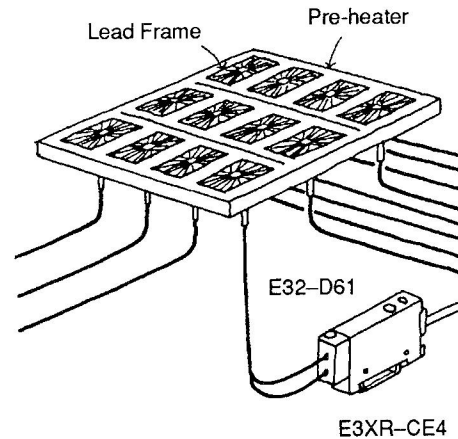


36 Lead Frame Detection (High Temperature)

Can detect pre-heated lead frames and resist heat up to 300°C.

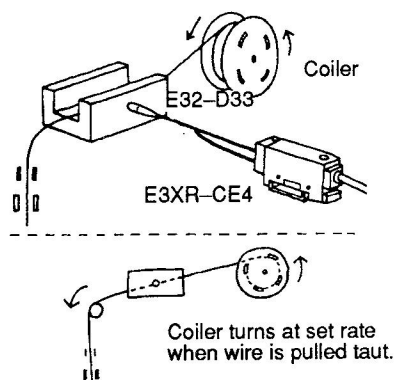


Fiber Optic Photoelectric Switch
E3XR-CE4 (Amp)
E32-D61 (Heat Resistant Fiber Unit — 300 C)



37 Gold Wire Presence Detection

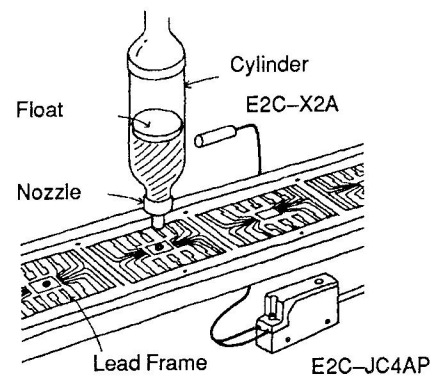
Can detect gold wire as fine as 0.015 mm dia.



Fiber Optic Photoelectric Switch
E3XR-CE4 (Amp)
E32-D33 (Fiber Unit)

38 Detection of Silver Paste in Cylinder

A metal float sits on top of silver paste in the cylinder. This checks the amount by detecting the level of the float with a proximity switch outside the cylinder.



Small Head Proximity Switch