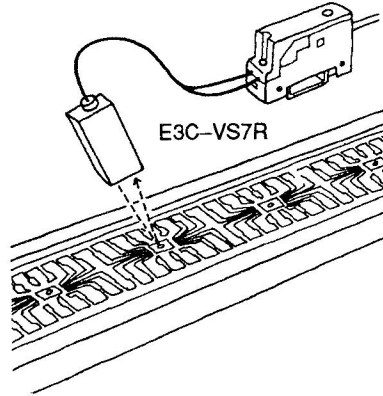


39 Silver Paste Presence Detector

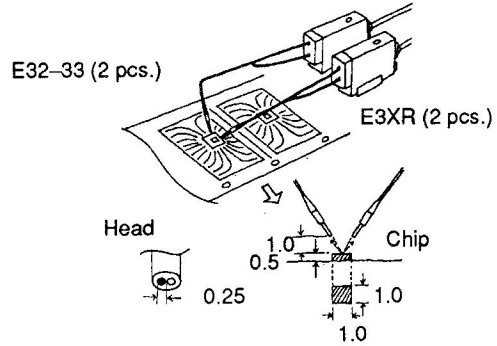
A spotlight of 2 mm dia. can accurately detect the smallest amounts of silver paste.



E3C-VM35R (Amp is E3C-JC4P) E3C-D32 (Fiber Unit) and E39-F3A (Miniature Spot Lens Unit) and E3XR-CE4 (Amp)

40 Chip Position Slippage Detection

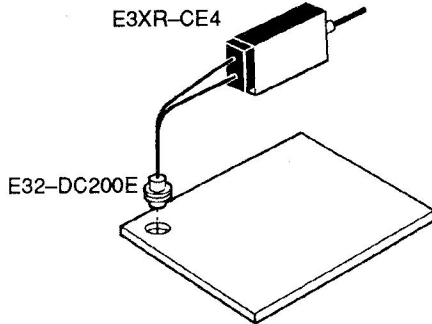
Uses a 0.25-mm ultra-fine fiber to detect minute chip slippage. By using two sensors, can detect slippage on both sides. Can use either a red or green light source depending on the color of the base.



Fiber Optic Photoelectric Switch E3XR-CE4

41 Glass Epoxy Board Positioning

Positions by detecting 1-mm hole on board surface.

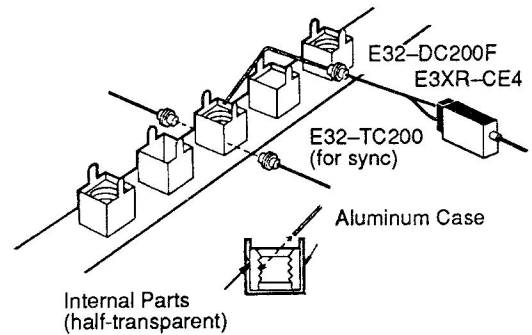


Detection Distance: Vertical Type 1 mm Fixed Type 1mm to 3 mm
Detection Subject: Glass Epoxy PC Board (Green or Black, with 1 mm dia. holes)

Fiber Unit: E32-DC200E
 Amp Unit: E3XR

42 Detection of Part in Metal Case

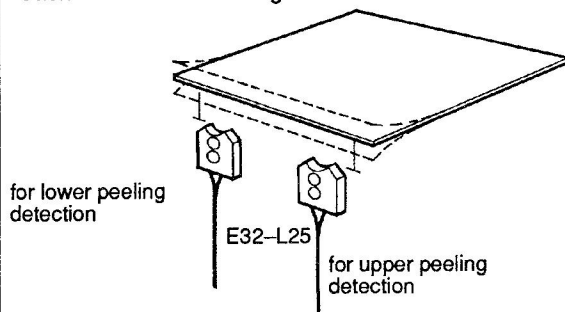
Detects reflected light from the tap on the top of the internal part. Detects the presence of the part.



Fiber Unit: E32-DC200F
 Amp Unit: E3XR-CE4

43 PC Board Peeling Detection

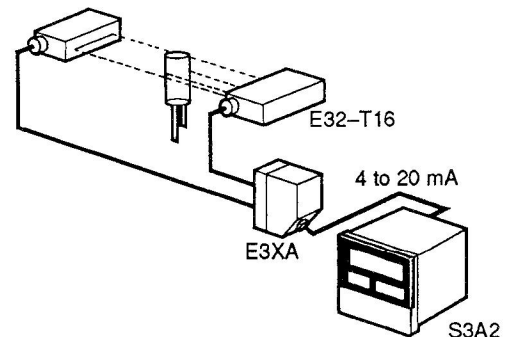
Uses two limited reflective sensors to detect board warpage (peeling) in units as small as 0.5 mm. Upper and lower peeling are detected by separate sensors, each with its own NG signal.



Detection Subject: PC Board
 Fiber Unit: E32-L25A P95
 Amp Unit: E3XR-CE4 P95

44 Capacitor Type Judgement

Capacitors are categorized by diameter size. The analog figure, when the sync sensor starts, is read to make the judgement.



Detection Subject: Capacitor
 Fiber Unit: E32-T16 P237
 Amp Unit: E3XR-CE4 P237