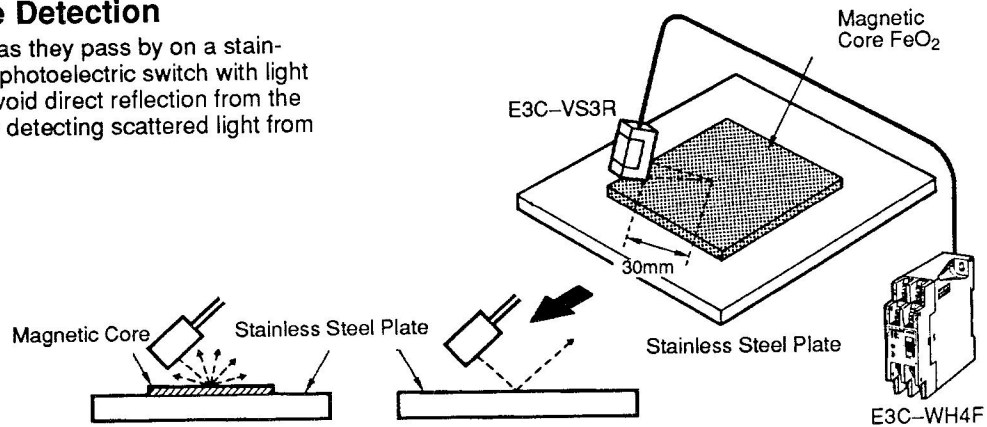


6 Magnetic Core Detection

Detects magnetic cores as they pass by on a stainless steel plate. Uses a photoelectric switch with light incident at an angle to avoid direct reflection from the stainless steel, thus only detecting scattered light from the magnetic core.

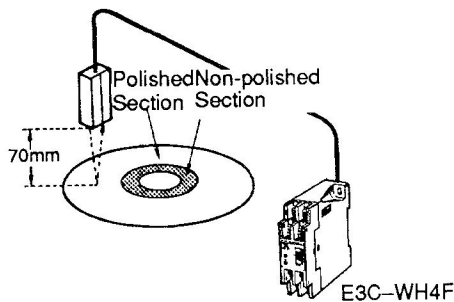


Detection Subject: Magnetic Core (FeO₂, Brown)

Photoelectric E3C-VS3R
Switch E3C-WH4F

7 Floppy Disk Polished Section Detection

Detector is set to receive light from all directions of the polished surface.

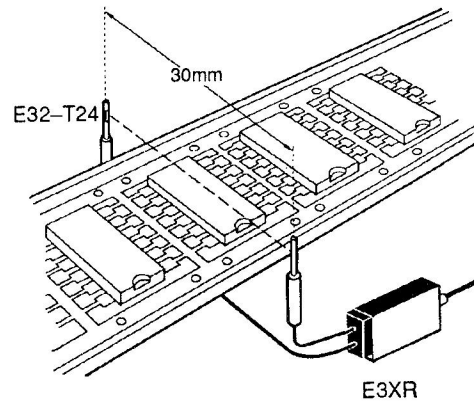


Detection Subject: 3.5" 2DD FDD

Photoelectric Switch
Amp E3C-VS7R
Unit E3C-WH4F

8 Lead Frame Rise Detection

Can detect small rise areas easily without bending the sleeve.

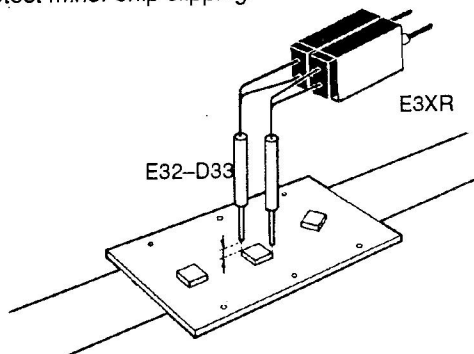


Detection Subject: Lead Frame

Fiber Optic Photoelectric Switch E32-T24/E3XR

9 Chip Slip Detection

Can detect copper wires as small as 0.015 mm, fibers of 0.25 mm diameter and 0.8-mm sleeves. Can correctly detect minor chip slipping.

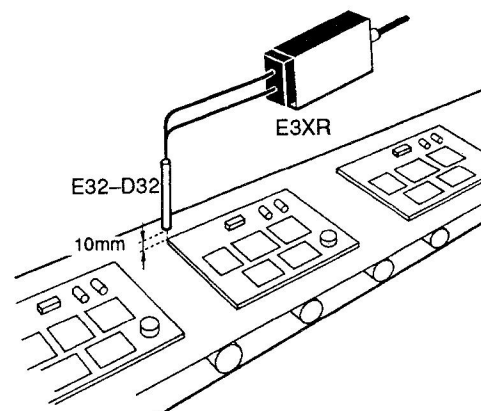


Detection Subject: IC Chip

Fiber Optic Photoelectric Switch E32-D33/E3XR

10 Circuit Board Positioning

Coaxial fiber, flexible in any direction, can be freely cut.



Detection Subject: Printed Circuit Board Edge

Fiber Optic Photoelectric Switch E32-D32/E3XR