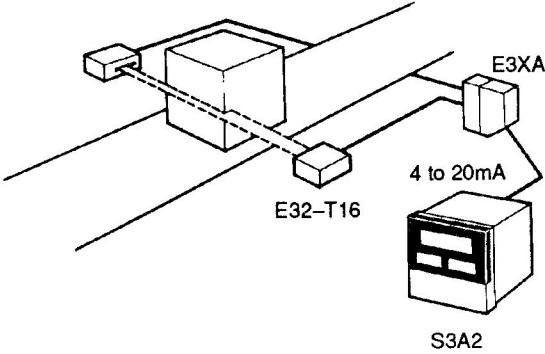


# Transportation and others

## 12 Work Piece Positioning

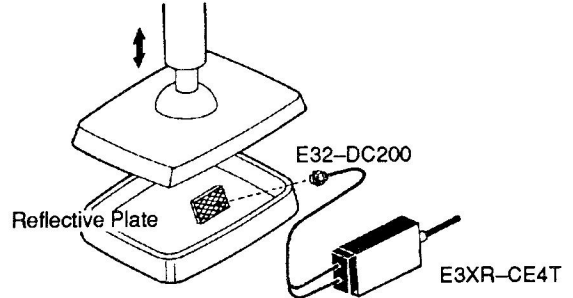
A 10 mm wide band of light is output and the work piece can be accurately positioned anywhere within that limit.



Fiber Unit            E32-T16  
Amp Unit            E3XA

## 13 Picture Tube Panel Detection

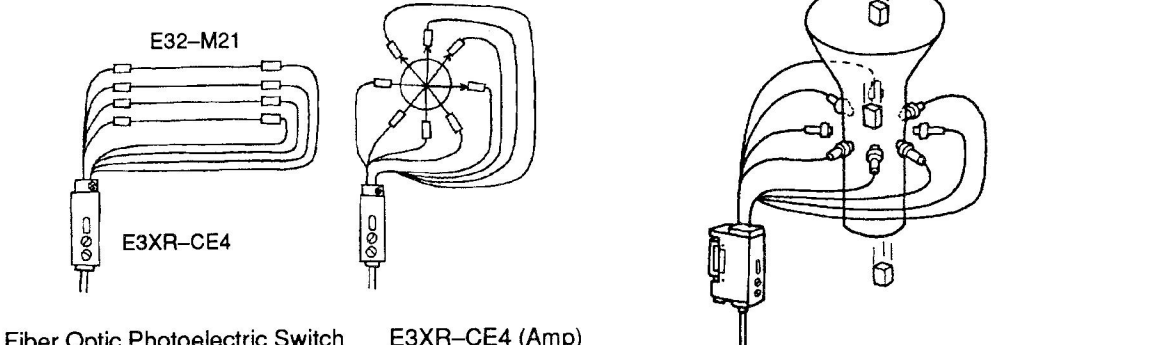
Checks the condition of the inner glass surface's chemical treatment. Has self-diagnosis circuit. If reflective plate is dirty an alarm is sounded and maintenance can be performed.



**Detection Subject: Picture Tube Panel (glass, light gray)**  
Fiber Unit            E32-DC200  
Amp Unit            E3XR-CE4T

## 14 Falling Items Detection

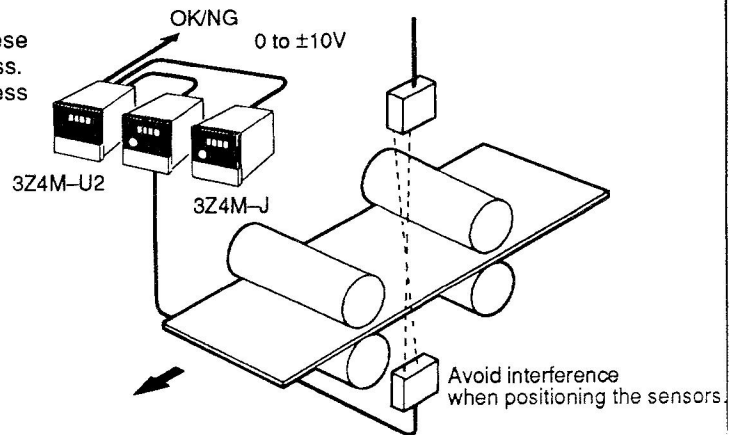
Sensitivity is adjusted so that if one, two, three, or all four light beams are broken detection will occur. The fiber head has four fibers so four separate light paths should be set. Response speed of 3XR-CE4 is 0.5 ms.



Fiber Optic Photoelectric Switch    E3XR-CE4 (Amp)  
E32-M21 (4-head fiber)

## 15 Printing Paper Double Send Detection

The upper and lower detection sensors are set. These sensors arithmetically measure the paper's thickness. Also with the use of the 3Z4M-U2 the paper thickness can be output as analog data.



Laser Variation Meter    3Z4M  
Arithmetical Unit    3Z4M