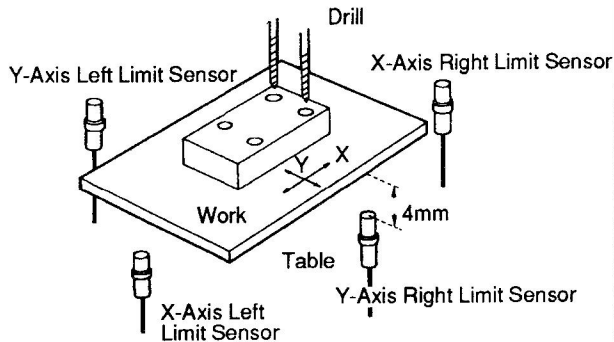


Transportation and others

30 X-Y Table X-Y Limit Detection

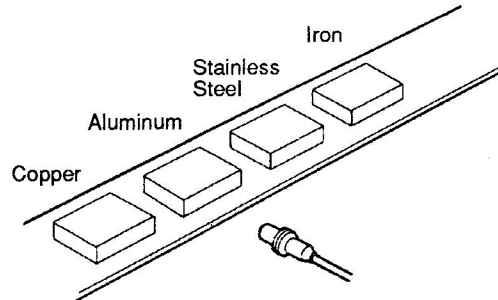
Detection is not affected by leftover cutting oil or aluminum powder.



Detection Subject: X-Y Table (stainless steel)
Proximity (aluminum powder protected) Switch
E2EZ-X4C1

31 Mixed Line Work Detection

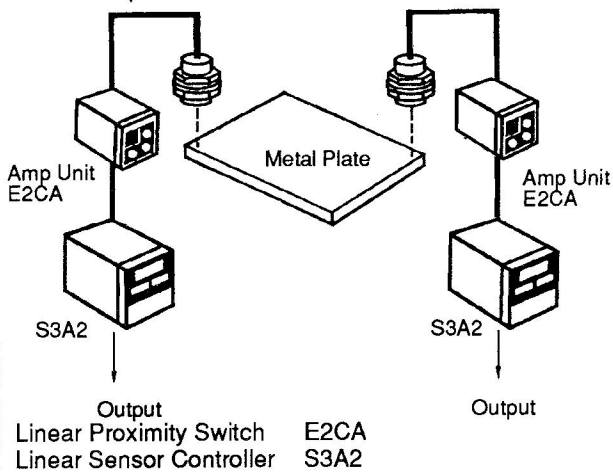
Ferrous metals as well as aluminum, copper or other non-ferrous metals can be detected without adjusting the sensitivity of the sensor.



Work piece
All Metal Proximity Switch E2EV

32 Measurement of Plate Incline

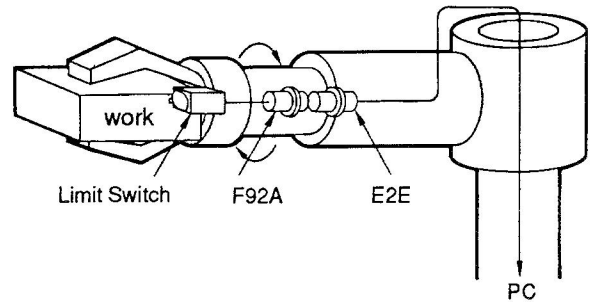
A linear proximity switch is used to measure the angle of a metal plate.



Output
Linear Proximity Switch E2CA
Linear Sensor Controller S3A2

33 Chuck Confirmation Signal Transmission

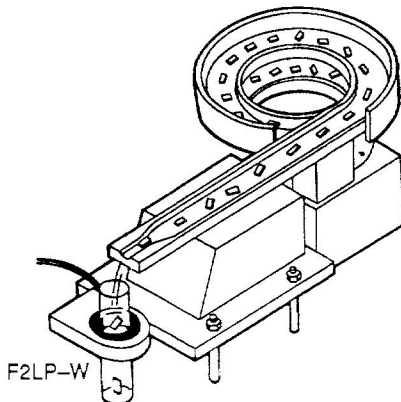
The limit switch sends a signal indicating whether the work is being grasped or not.



Transmission Coupler F92A
Proximity Switch E2E

34 Chip Parts Counting

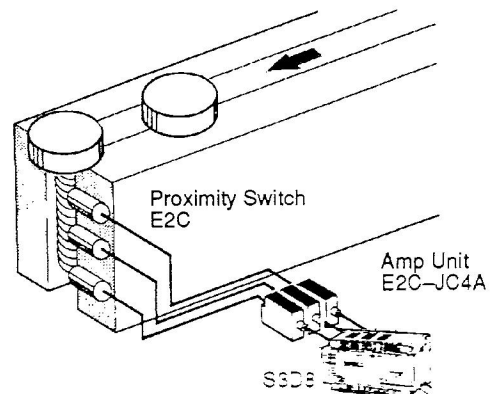
A metal detection sensor counts the number of parts passing a given point.



Metal Detection Sensor F2LP-W

35 Screw Length Judgement

Judges the length of the screws as long, medium, or short with the use of three proximity switches.



Proximity Switch E2C
Select Switch S3D8 → Buzzer