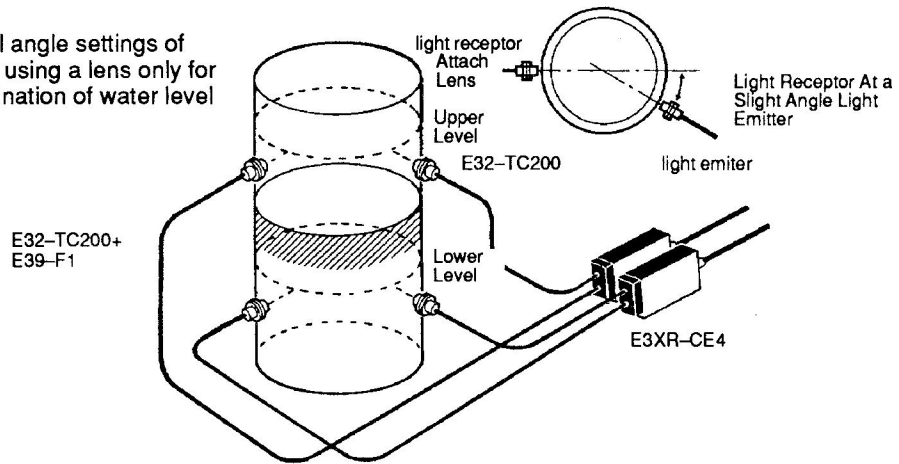


Transportation and others

48 Water Level Detection (Inside Glass Pipe)

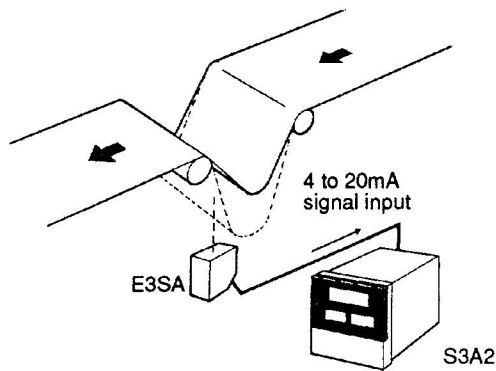
By slightly changing the individual angle settings of the light emitter and receptor and using a lens only for the light emitter, accurate determination of water level within ± 1 mm is possible.



Fiber Optic Photoelectric Switch Lens Unit E32-TC200/E3XR-CE4
E39F1

49 Loop Detection

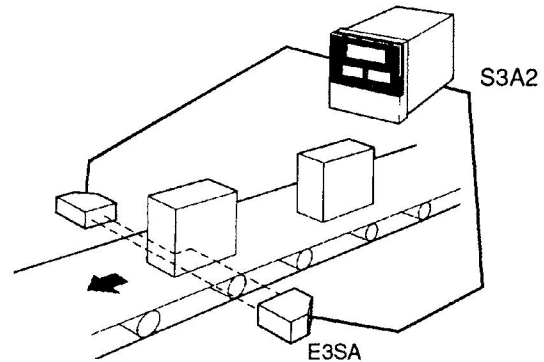
The amount of looping or tautness can be detected with a wide angle reflective sensor.



Light Volume Judgement Sensor E3SA
Linear Sensor Controller S3A2

50 Work Positioning

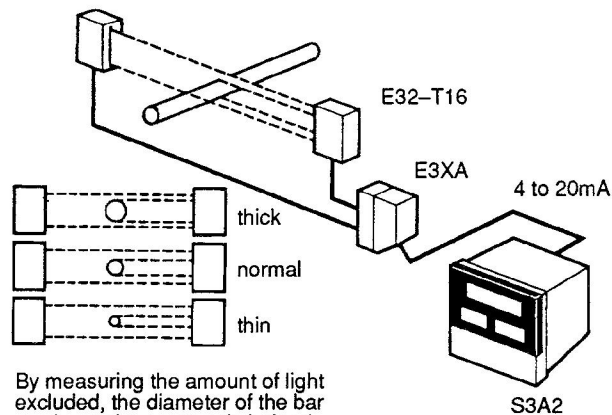
With the use of a transmission type sensor the position of the object can be determined with a high degree of accuracy.



Light Volume Judgement Sensor E3SA
Linear Sensor Controller S3A2

51 Bar Stock Outer Diameter Judgement

By measuring the amount of light excluded, the diameter of the bar stock may be accurately judged.



By measuring the amount of light excluded, the diameter of the bar stock may be accurately judged.

Photoelectric Switch E32-T16/E3XA
Linear Sensor Controller S3A2