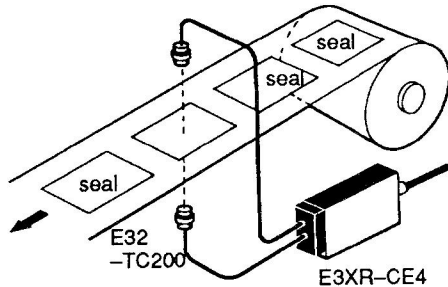


## Transportation and others

### 52 Seal Detection

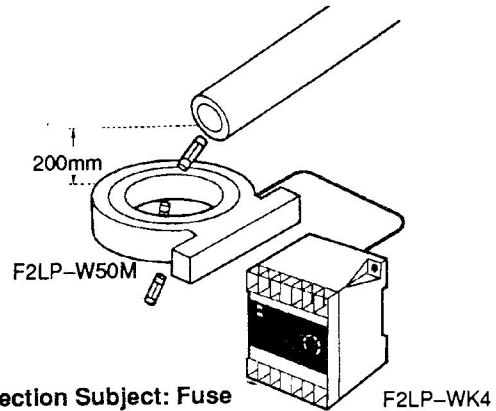
If the transport media is half opaque a transmission type fiber may be used for detection.



**Detection Subject: Seal**  
Fiber Optic Photoelectric Switch E32-TC200/E3XR-CE4

### 53 Fuse Counting

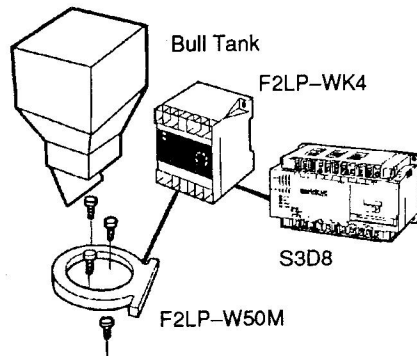
Counts the number of fuses as they drop through from an acrylic tube.



**Detection Subject: Fuse**  
Metal Sensor F2LP-W50M  
Controller F2LP-WK4

### 54 Screw Counting

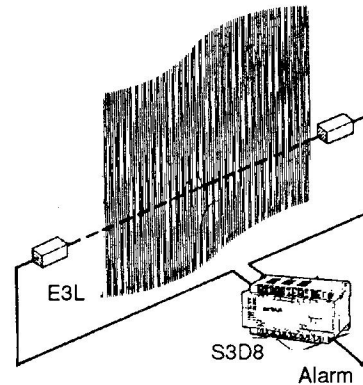
Counts the number of screws without being affected by shape or position of passage.



**Metal Sensor** F2LP-W50M  
**Controller** F2LP-WK4

### 55 Weaving Machine Thread Breakage Detection

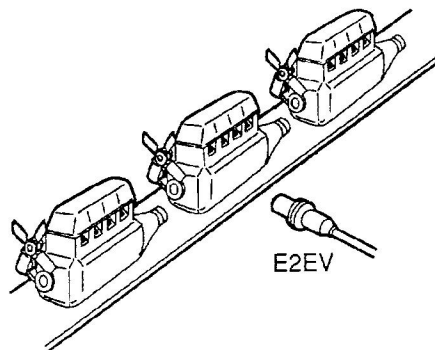
A laser photoelectric switch detects from a distance the breakage of extremely fine threads.



**Laser Photoelectric Switch** E3L  
**Alarm** S3D8

### 56 Engine Block Detection

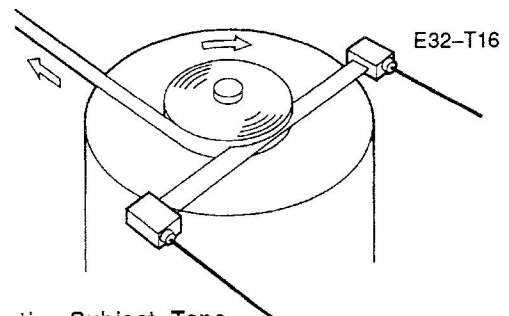
Can directly detect die-cast aluminum engine blocks. This has been difficult to do with ordinary proximity sensors.



**Detection Subject: Engine Block**  
A Metal Proximity Switch E2EV, P436

### 57 Tape Wind-up Detection

A signal is output when the tape being wound up reaches a predetermined position. With the addition of a 0.5-mm slit the light axis is further focused and higher accuracy can be achieved.



**Detection Subject: Tape**  
Fiber Unit E32-T16  
Amp Unit E3XR-CE4