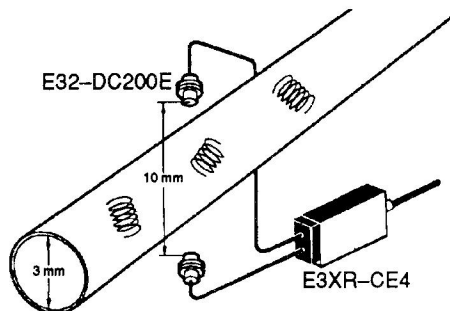


## Transportation and others

### 6 Detection of Moving Springs Inside Clear Vinyl Tube

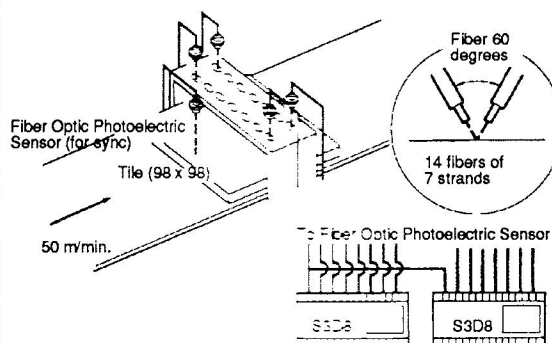
The clear vinyl provides good light transmission and the photoelectric switch can easily detect objects larger than 1 mm in diameter.



**Detection Subject: Springs (black)**  
 Fiber Optic Photoelectric Switch  
 E32-200/E3XR-CE4

### 7 Detection of Blemishes and Sunken Area in Tiles

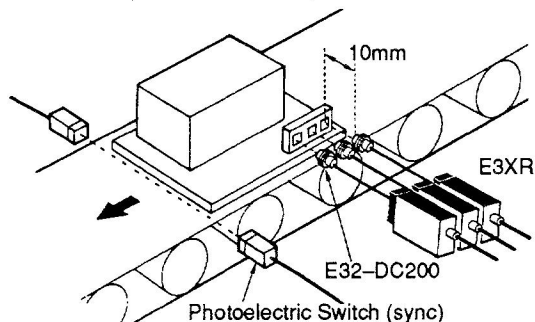
Minute blemishes or sunken areas in tiles are detected as they pass by on the conveyor.



Fiber Optic Photoelectric Switch  
 E32-TC200 E3XR-CE4  
 Sensor Controller S3D8

### 8 Pallet Distribution On a Multi-Product Line

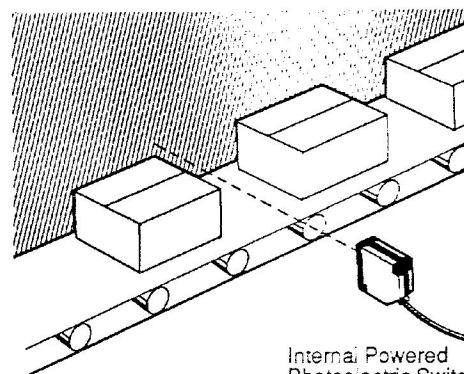
The pallet is directed to the correct place when the three photoelectric sensors detect the aluminium tag (silver colored) attached to the pallet.



**Detection Subject: Product Code (Aluminium silver colored plate)**  
 Fiber Unit: E32-DC200 Amp Unit: E3XR

### 9 Cardboard Box Detection

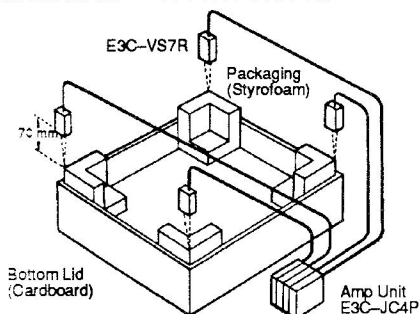
A single wide angle photoelectric switch is used in situations where it is impossible to use of pair of sensors.



Photoelectric Switch E3JK

### 10 Uneven Packing

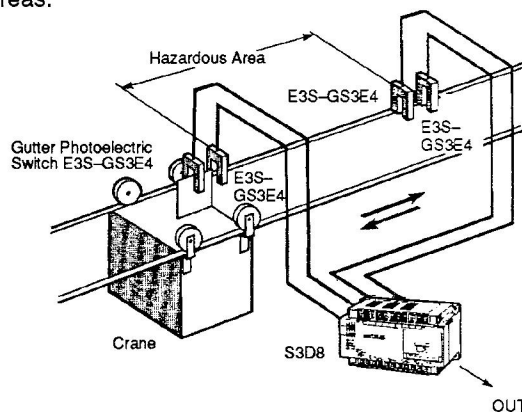
If there is more than a 5-mm misalignment in the packing the product cannot be inserted. A small-spot high precision E3C-VS7R is used for accuracy.



**Detection Subject: Styrofoam packaging inside cardboard box (white)**  
 Photoelectric Switch E3C-VS7R  
 Amp Unit E3C-JC4P

### 11 Crane Buzzer

Detects crane's direction and its entry into hazardous areas.



Fiber Optic Photoelectric Switch E3S-GS  
 Sensor Controller S3D8